



**FEATURES**

- Oil lubricated rotary vane vacuum pump, nominal speed 106 m<sup>3</sup>/h;
- Vacuum level control through high precision sensor;
- Maximum vacuum 99,95% (0,5 millibar);
- Standard 2x955mm or 2x555mm sealing bars, easily removable for cleaning;
- Removable sealing bar lifting device, with sealing cap for cleaning;
- Digital control panel with 6 keys and 6 digit display;
- 10 editable programs;
- Program for vacuum packaging in containers;
- Adjustable sealing intensity;
- Pump oil dehumidification program "H2Out";
- Resettable oil change alarm;
- Analog vacuum gauge for displaying the vacuum level;
- AISI304 Stainless steel vacuum chamber with 3mm constant thickness;
- AISI304 stainless steel machine body with four wheels, two of which with brakes; easily accessible pump oil drain;
- High-thickness PMMA (Plexiglass) lid with polished and rounded edges; opens automatically at the end of the cycle;
- Chromed aluminum die-cast hinges;
- Thermal welding protection system;
- 6 PE-filling plates for product adjustment and cycle speed up.

**DESCRIPTION**

Levac C96 is a floor model made entirely of AISI304 stainless steel, equipped with a 106m<sup>3</sup>/h pump, with digital control panel, vacuum sensor and double sealing bar, equippable with inert gas injection. It is characterized by extreme robustness, ease of use and attention to detail. The standard of quality and reliability of the packaging machine and its components is the result of over twenty years of presence and wide diffusion on the global market of this model, in all areas and in all sectors.



**SEALING BAR 955-555 mm**  
**VACUUM PUMP 106 m<sup>3</sup>/h**  
**SENSOR CONTROL**

**OPTIONALS**

- Inert gas injection with 6+6 or 3+3 nozzles

**ACCESSORIES**

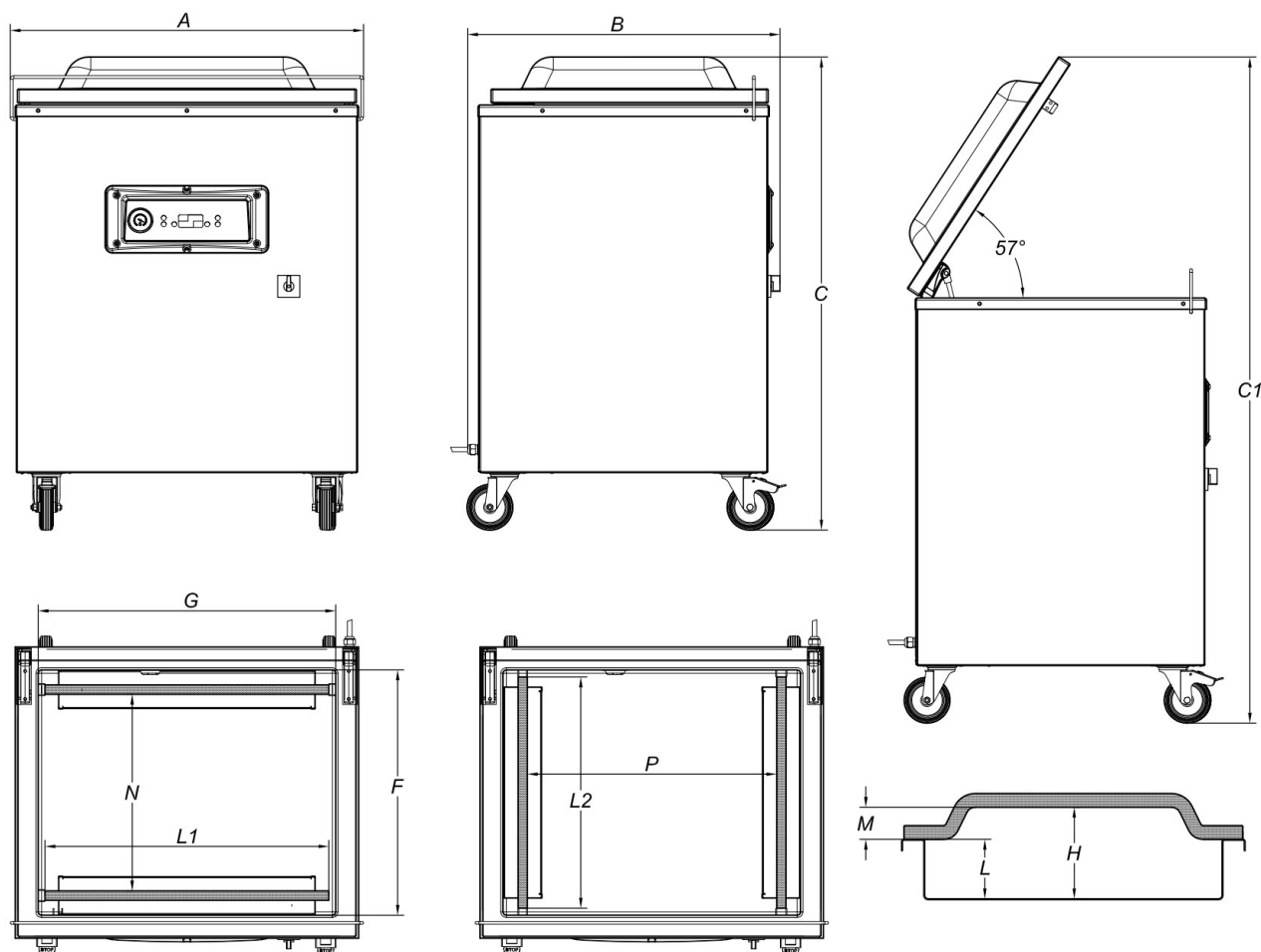
- Bags for storage, cooking and "cook & chill"; embossed bags;
- Inclined stainless steel plate for liquid packing

**CE**

According to: Standard EN/IEC 60335-1  
Safety assured by  
accredited third-party certification body!

PROJECT	DATE	APPROVED
ITEM	QTY	

VACUUM PACKAGING MACHINES LEVAC C96



## SPECIFICATIONS

Length of seal L1	mm	955
Length Of Seal L2	mm	555
Nominal pump speed	m <sup>3</sup> /h	106
Final pressure	mbar	0,1
Chamber Size (FxGxH)	mm	585x980x230
Useful space Chamber (N)	mm	480
Useful space Chamber (P)	mm	874
Chamber depth (L)	mm	130
Chamber volume	Lt	137
Power	W	2200
Electrical voltage/Frequency/Phases	V/Hz	400V / 50-60Hz / 3 Ph+N+PE
Power cord and plug		3m / CEE
Current	A	9,5
Housing materials		Stainless steel (AISI304)
Vacuum chamber material		Stainless steel (AISI304)
Lid material		PMMA (plexiglas)
Overall dimensions (AxBxC)	mm	1100x790x1067
Maximum height with open lid (C1)	mm	1520
Weight (with shelves)	kg	250
Noise level	dB(A)	66
Environmental operating temperature (min-max)	°C	12-40