



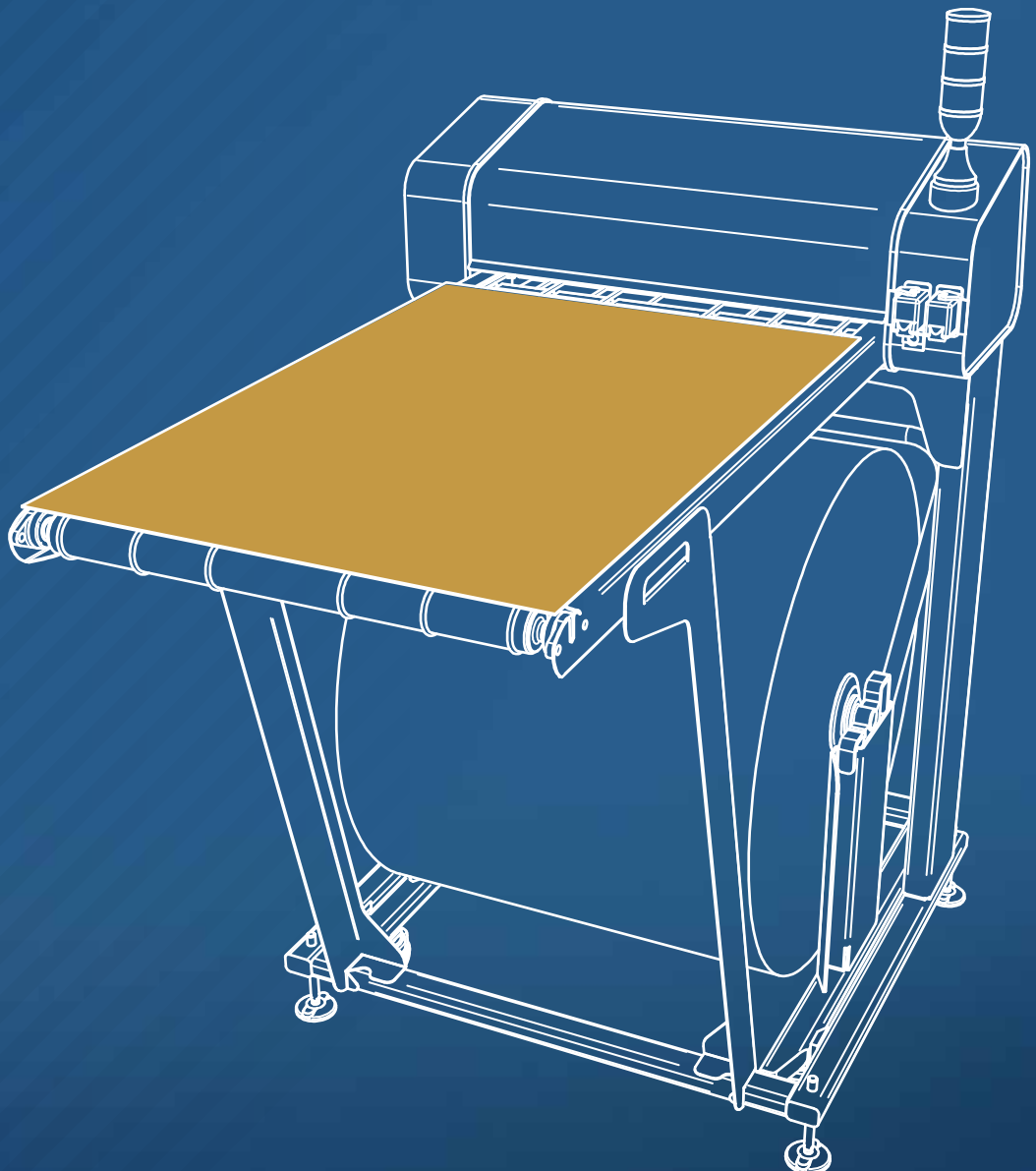
EXCALIBUR®

TIE-SHEET DISPENSER

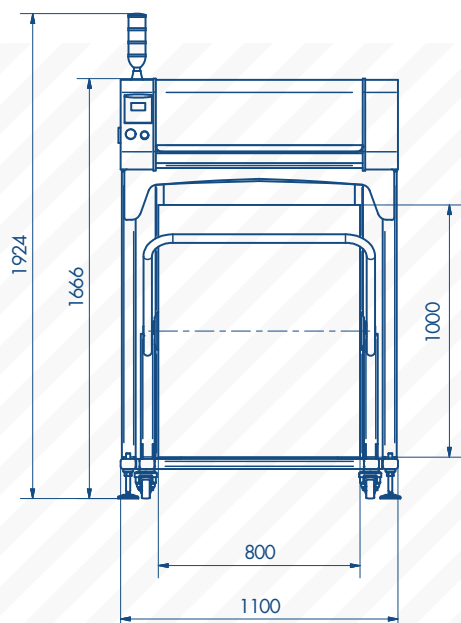
CLASSIC|800 MONO|DUO|QUATTRO

PAPER SHEETER TO BE INTEGRATED INTO PALLETIZING LINE
WITH TROLLEY

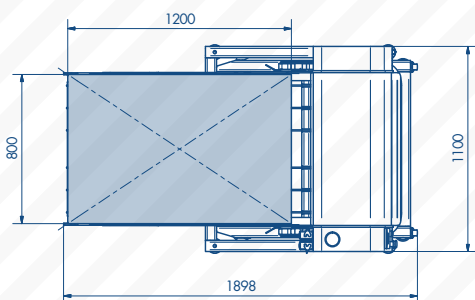
*Stand-alone or driven-mode sheeting of 1200x800 mm sheets
Half-sheet and quarter-sheets versions.*



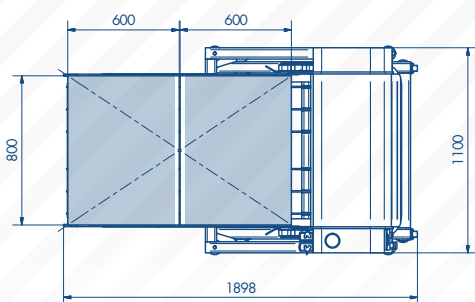
MODEL CLASSIC | 800



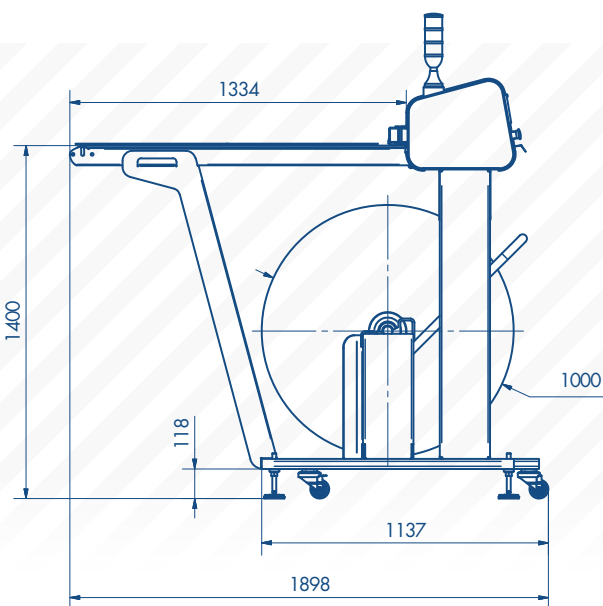
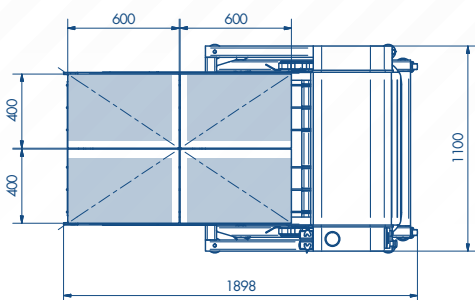
VERSION MONO



VERSION DUO



VERSION QUATTRO



TECHNICAL SPECIFICATIONS

| | |
|------------------------|--|
| Roll width | 800 |
| Roll diameter | 1000 mm |
| Sheeting length | From 600 mm to 1220 mm |
| Cutting accuracy | ± 1 mm |
| Number of sheets | MONO : 1 |
| | DUO : 1 or 2 |
| | QUATTRO : 1, 2 or 4 |
| Data base | 15 pre-programmed references |
| Tie-sheet position | Centered or Sheet edge |
| Position accuracy | ± 1 mm |
| Paper type | From 60 to 300 g/m ² Kraft & anti-slip paper |
| Through-put speed | 6 sheets / minute |
| Operating mode | Stand-alone or driven-mode |
| Power supply | 115V / 230V~50-60 Hz |
| Guarantee | 500 000 cuts or 12 months |
| Knife lifetime | 500 000 cuts |
| Counter-knife lifetime | 500 000 cuts |
| Roll holder trolley | To simplify and anticipate roll changeover |
| Roll monitoring | Continuous monitoring of roll diameter with operator alarm |
| Long-life tooling | High hardness steel of the knife & counter-knife |
| HMI Access control | 2 access levels (100 % customizable) |



Health & safety conformity :
Directive 2006/42/CE
(Normes EN 12100/EN 14121)

TECHNICOAT
Solution

solution@cgp-coating.com - www.cgp-coating.com

